

We've Got the GROOVEX



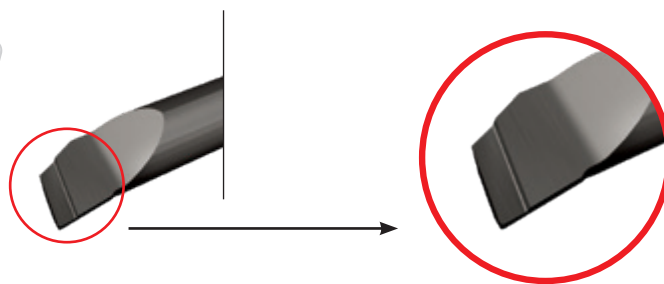
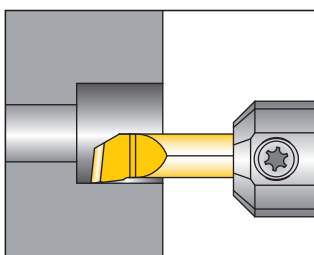
NEW PRODUCT ANNOUNCEMENT

NEW! Improved Chip Evacuation for Boring Applications

Boring inserts with specially designed **Chip Former** geometry are now available for **microscope**. Suitable for boring in small diameters from 4 mm to 10 mm, in particular for Stainless Steels.

microscope Boring Insert with Chip Former

Internal



Features

- New Design with Special Chip Former Geometry
- VBX Grade Inserts

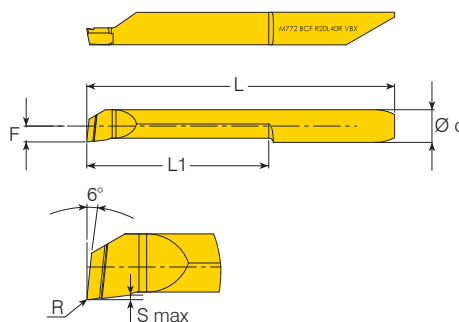
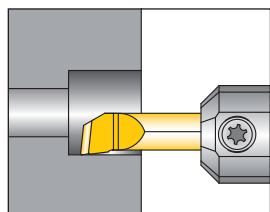
Benefits

- Extended Tool Life - Up to 30% improved tool life compared to existing offering!
- Excellent Surface Finish
- Improved Chip Evacuation

micrOscope Boring with Chip Former



Internal



Shank dia.	Item number	Ordering Code	Dimensions mm (inch)							
d mm (inch)		RH / LH	R	L1	L	S max	F	Min. Bore Dia.	Toolholder	
4 (.157)	063-00088	M442BCFR15L10RVBX	0.15 (.006)	10 (.394)	28 (1.102)	0.144 (.006)	1.85 (.073)	4.2 (.165)	MHC-4	
	063-00089	M442BCFR15L15RVBX		15 (.591)	33 (1.299)					
	063-00090	M442BCFR15L20RVBX		20 (.787)	39 (1.535)					
5 (.196)	063-00091	M552BCFR20L10RVBX	0.2 (.008)	10 (.394)	35 (1.378)	0.121 (.005)	2.35 (.093)	5.2 (.205)	MHC-5	
	063-00092	M552BCFR20L15RVBX		15 (.591)	41 (1.614)					
	063-00093	M552BCFR20L20RVBX		20 (.787)	46 (1.811)					
	063-00094	M552BCFR20L25RVBX		25 (.984)	51 (2.008)					
6 (.236)	063-00096	M662BCFR20L15RVBX	0.2 (.008)	15 (.591)	42 (1.654)	0.121 (.005)	2.85 (.112)	6.2 (.244)	MHC-6	
	063-00097	M662BCFR20L20RVBX		20 (.787)	47 (1.850)					
	063-00098	M662BCFR20L25RVBX		25 (.984)	52 (2.047)					
	063-00099	M662BCFR20L30RVBX		30 (1.181)	59 (2.323)					
7 (.275)	063-00100	M662BCFR20L35RVBX	0.2 (.008)	35 (1.378)	61 (2.402)	0.121 (.005)	3.4 (.134)	7.2 (.283)	MHC-7	
	063-00106	M772BCFR20L15RVBX		15 (.591)	41 (1.614)					
	063-00105	M772BCFR20L20RVBX		20 (.787)	46 (1.811)					
	063-00101	M772BCFR20L25RVBX		25 (.984)	51 (2.008)					
	063-00102	M772BCFR20L30RVBX		30 (1.181)	56 (2.205)					
	063-00103	M772BCFR20L35RVBX		35 (1.378)	61 (2.402)					
	063-00104	M772BCFR20L40RVBX		40 (1.575)	66 (2.598)					

Ordering Information

micrOscope tools can be ordered from the Groovex micrOscope Catalog.

Availability

Available in stock from June 1, 2013.

Prices

Please contact your Customer Service Representative for prices on the items listed herein.

New Marketing Material

micrOscope Catalog
(Metric) 221-01172



Alex Glick
Alex Glick
GROOVEX Product Manager

Please contact me directly with specific questions and requests.
For additional updates and news, visit the VARGUS website: www.vargus.com