

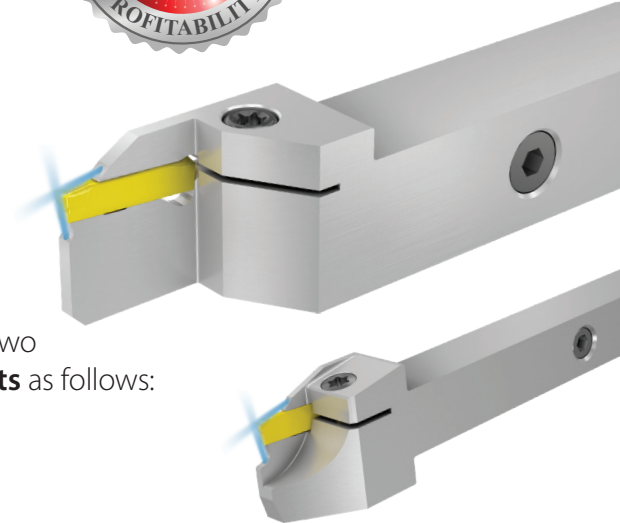
VG-Cut

Improved Monoblock Holders with High Pressure Coolant Now with 4 Coolant Inlets!

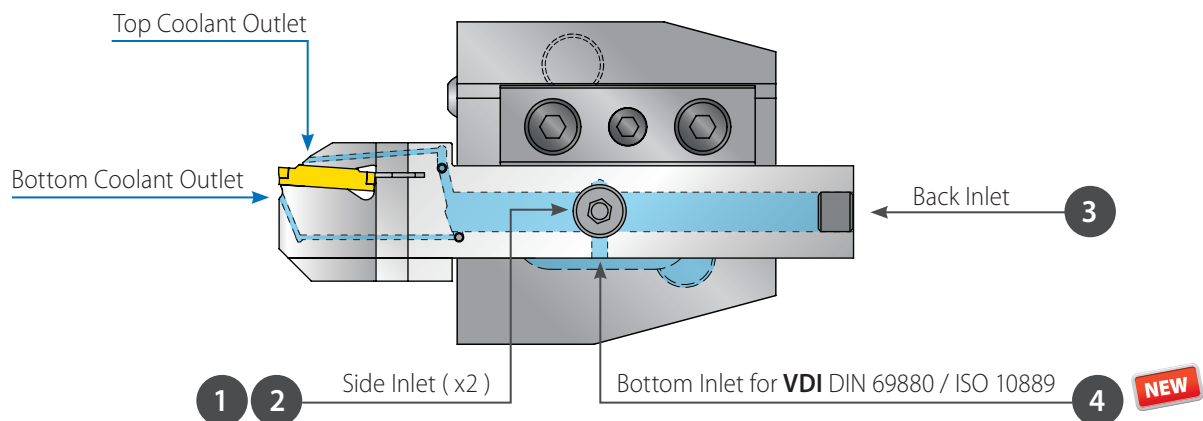



Features and Benefits

- The Standard Monoblock and Reinforced Monoblock holders with two High Pressure Coolant (HPC) outlets will now feature **4 coolant inlets** as follows:
 - Side Inlets (2)
 - Back Inlet (1)
 - NEW: Bottom Inlet (1) - specially designed according to VDI DIN 69880 / ISO 10889**
- HPC holders are designed to cool down the insert rake and flank, and improve chip evacuation
- This new offering is available for all Right and Left Hand holders with 20 and 25 mm square shank sizes



Effective immediately, all new orders for these items will be supplied with this design. See page 2 for further details and ordering codes.



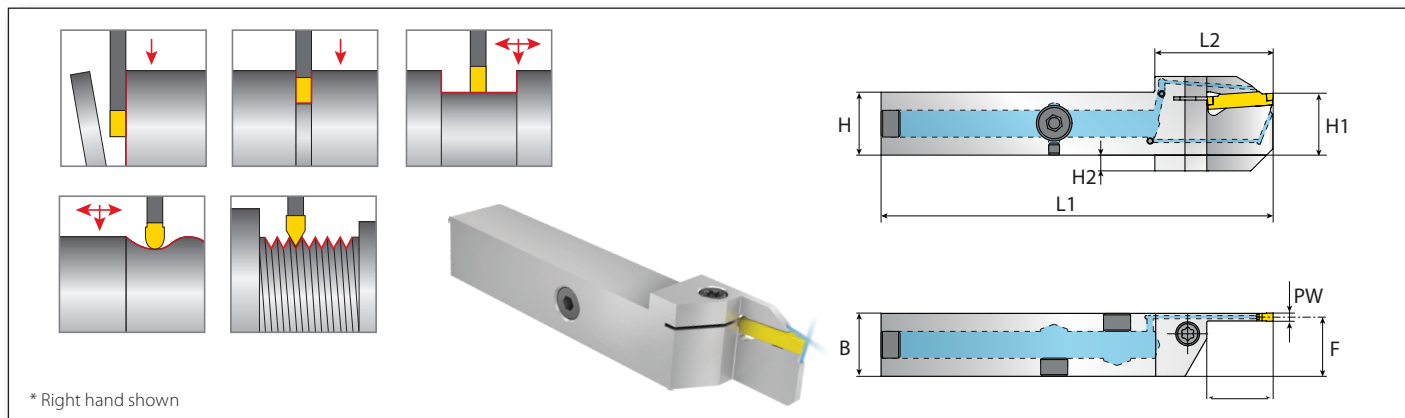
Please be in direct contact with me for any specific questions or requests.
 For additional updates and news, visit the new VARGUS website: www.vargus.com


 Gideon Boianjiu
 GROOVEX Product Manager

VG-Cut

Improved Monoblock Holders with High Pressure Coolant
Now with 4 Coolant Inlets! **NEW**

Monoblock Holders with Two High Pressure Coolant Outlets Grooving, Parting Off, Turning & Threading

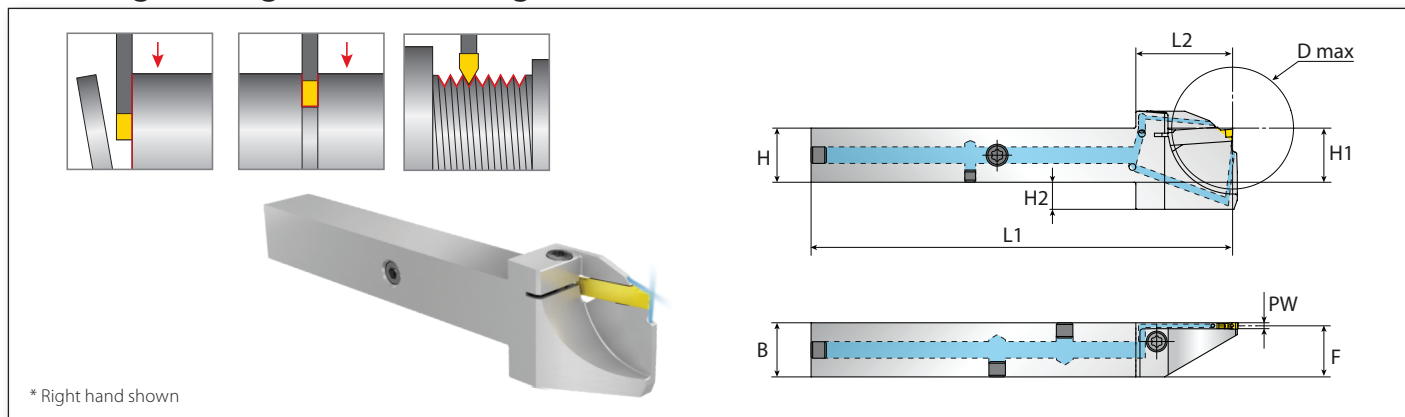


* Right hand shown

Ordering Code		Dimensions mm								Spare Parts			
RH/LH	PW	t max	HXB	H1	F	L1	L2	a	H2	Cylindrical Screw*	Key	Plug Screw x2	Socket Screw
VGER/L2020-3T12C	3	12	20x20	20	18.8	124.6	28.6	-	-	SM4x14 T15	K25T	HEX PLUG G1/8"	Socket Screw M6x5
VGER/L2020-3T21C		21	20x20	20	18.8	124.6	37.6	-	-				
VGER/L2525-3T12C	3	12	25x25	25	23.8	124.6	30.6	2.4	-	SM4x14 T15	K25T	HEX PLUG G1/8"	Socket Screw M6x5
VGER/L2525-3T21C		21	25x25	25	23.8	124.6	37.6	-	-				
VGER/L2525-4T21C	4	21	25x25	25	23.3	124.6	37.6	-	-				

* Tightening Torque: 5 Nm max

Reinforced Monoblock Tools with Two High Pressure Coolant Outlets Grooving, Parting Off & Threading



* Right hand shown

Ordering Code		Dimensions mm								Spare Parts				
RH/LH	PW	D max	HXB	H1	F	L1	L2	a	H2	Cylindrical Screw	Key*	Key*	Plug Screw x2	Socket Screw
VGER/L2020-2T18PHC	2	36	20x20	20	19.1	124.6	30	1.8	4	SM4x14 T15	K3TF	-	HEX PLUG G1/8"	Socket Screw M6x5
VGER/L2020-3T21PHC	3	42	20x20	20	18.8	124.6	32	7	-		-	KT-15		
VGER/L2525-3T21PHC		42	25x25	25	23.8	124.6	32	2.4	2					

* Tightening Torque: K3TF Key - 3 Nm max; KT-15 Key - 5 Nm max.