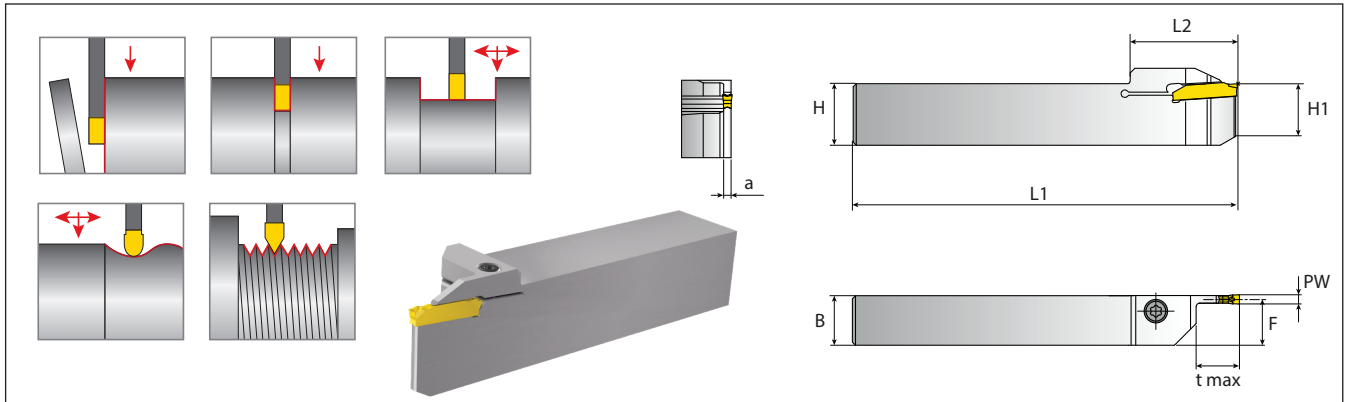


VG-Cut New VG-Cut Monoblock Holders Design



Features and Benefits

- Pocket grip design for better insert positioning and improved clamping
- Larger and stronger clamping screws for higher torque resistance
- Especially suitable for use in unstable applications
- New program features the most popular Monoblock holders

Ordering Code System:

“N” added after the pocket width code

Availability:

- New VG-Cut Monoblock Holders are now available
- Previous style VG-Cut Monoblock holders can be ordered while supplies last
- We will continue to add new holders and cover the entire Monoblock offering according to demand

New Design

Ordering Code									Dimensions mm		Spare Parts	
RH/LH	PW	t max	HXB	H1	F	L1	L2	a				
VGER/L2020-3NT08**	3	8	20x20	20	18.75	125	35	2.50	Cylindrical Screw* SM5x20-T25	Key K5T		
VGER/L2020-3NT21	3	21	20x20	20	18.75	125	35	2.50				
VGER/L2525-3NT12**	3	12	25x25	25	23.75	125	35	2.50				
VGER/L2525-3NT21	3	21	25x25	25	23.75	125	35	2.50				
VGER/L2525-4NT12	4	12	25x25	25	23.30	125	35	3.40				
VGER/L3232-4NT21	4	21	32x32	32	30.30	125	35	3.40				

* Tightening Torque: 5 Nm max.

** Suitable for threading applications

Previous Design

Ordering Code									Dimensions mm		Spare Parts	
RH/LH	PW	t max	HXB	H1	F	L1	L2	a				
VGER/L2020-3T08	3	8	20x20	20	18.80	125	35	2.50	Cylindrical Screw* SM4x18-T21	Key K6T		
VGER/L2020-3T21	3	21	20x20	20	18.80	125	35	2.50				
VGER/L2525-3T12	3	12	25x25	25	23.80	125	35	2.50				
VGER/L2525-3T21	3	21	25x25	25	23.80	125	35	2.50				
VGER/L2525-4T12	4	12	25x25	25	23.50	125	35	3.40				
VGER/L3232-4T21	4	21	32x32	32	32.52	125	35	3.40				

* Tightening Torque: 5 Nm max.

Please be in direct contact with me for any specific questions or requests.

For additional updates and news,
visit the new VARGUS website: www.vargus.com

Gideon Boianjiu
GROOVEX Product Manager