

2019

**GROOVEX**  
Innovative Grooving & Turning Solutions

**NPA 19**

**vargus**  
NEUMO Ehrenberg Group

GROOVEX NPA 19 06/2019

Page 1/2

## NEW **microscope** Boring & Profiling Tools with Chip Breaker and High Pressure Coolant (CBLF)

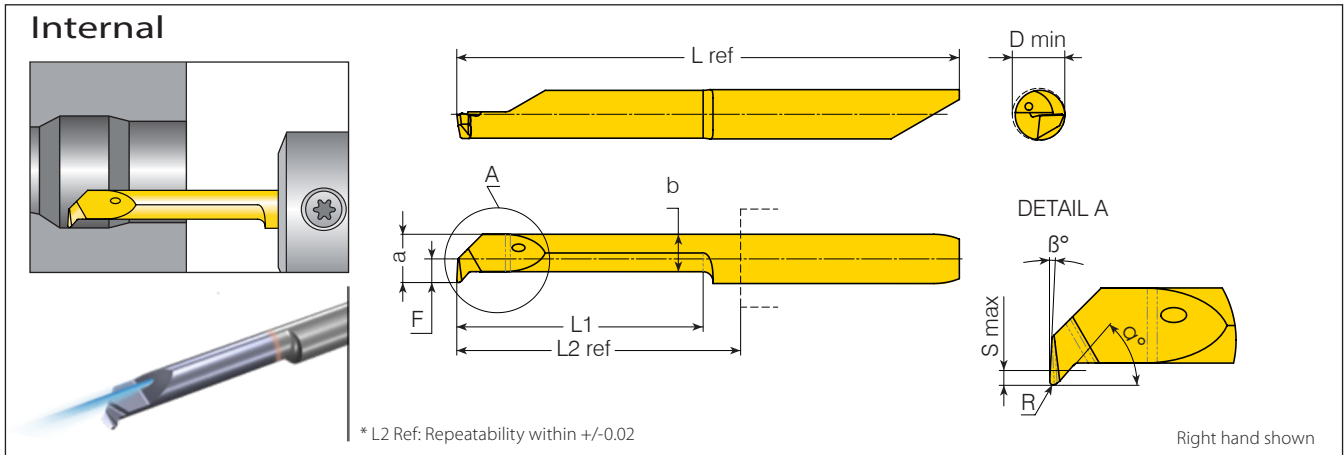


### **Features & Benefits:**

- Positive Chip Breaker Type "F" - Excellent for stainless and alloy steel
- Helical short chips for better chip evacuation
- Prevents tangled chips around the tool and workpiece
- Excellent for blind holes
- High Pressure Coolant-Thru available for longer tool life
- VTX Grade Tough sub-micron substrate, AlTiN PVD coated, multipurpose grade for medium to high cutting speeds

Scroll down 

**NEW microscope Boring & Profiling Tools  
with Chip Breaker and High Pressure Coolant (CBLF)**



Shank Dia.	Min. Bore Dia.	Ordering Code	Dimensions mm										Grades	
d (mm)	D min. (mm)	RH/LH	L1	R	F	S max	a	b	$\alpha^\circ$	$\beta^\circ$	L2 ref*	L ref	VBX	VTX
4.0	4.2	M442CBLFR15 L10R/LC	10								11.5	28.5	o	•
		M442CBLFR15L16R/LC	16	0.15	1.9	0.7	3.9	3.1	47		18.2	35.2	o	•
		M442CBLFR15L21R/LC	21								22.8	39.8	o	•
5.0	5.2	M552CBLFR20L16R/LC	16								18.15	41	o	•
		M552CBLFR20L25R/LC	25	0.2	2.4	0.95	4.9	3.8	49	3	28.15	51	o	•
6.0	6.2	M662CBLFR20L16R/LC	16								18.3	42	o	•
		M662CBLFR20L21R/LC	21	0.2	2.78	1.75	5.8	3.9	49		23.3	47	o	•
		M662CBLFR20L30R/LC	30								32.3	56	o	•

• In stock ◦ Available upon request  
 | Inserts marked with C are available with internal coolant.

Please be in direct contact with me for any specific questions or requests.  
 For additional updates and news,  
 visit the new VARGUS website: [www.vargus.com](http://www.vargus.com)

Gideon Boianjiu  
 GROOVEX Product Manager