

2016

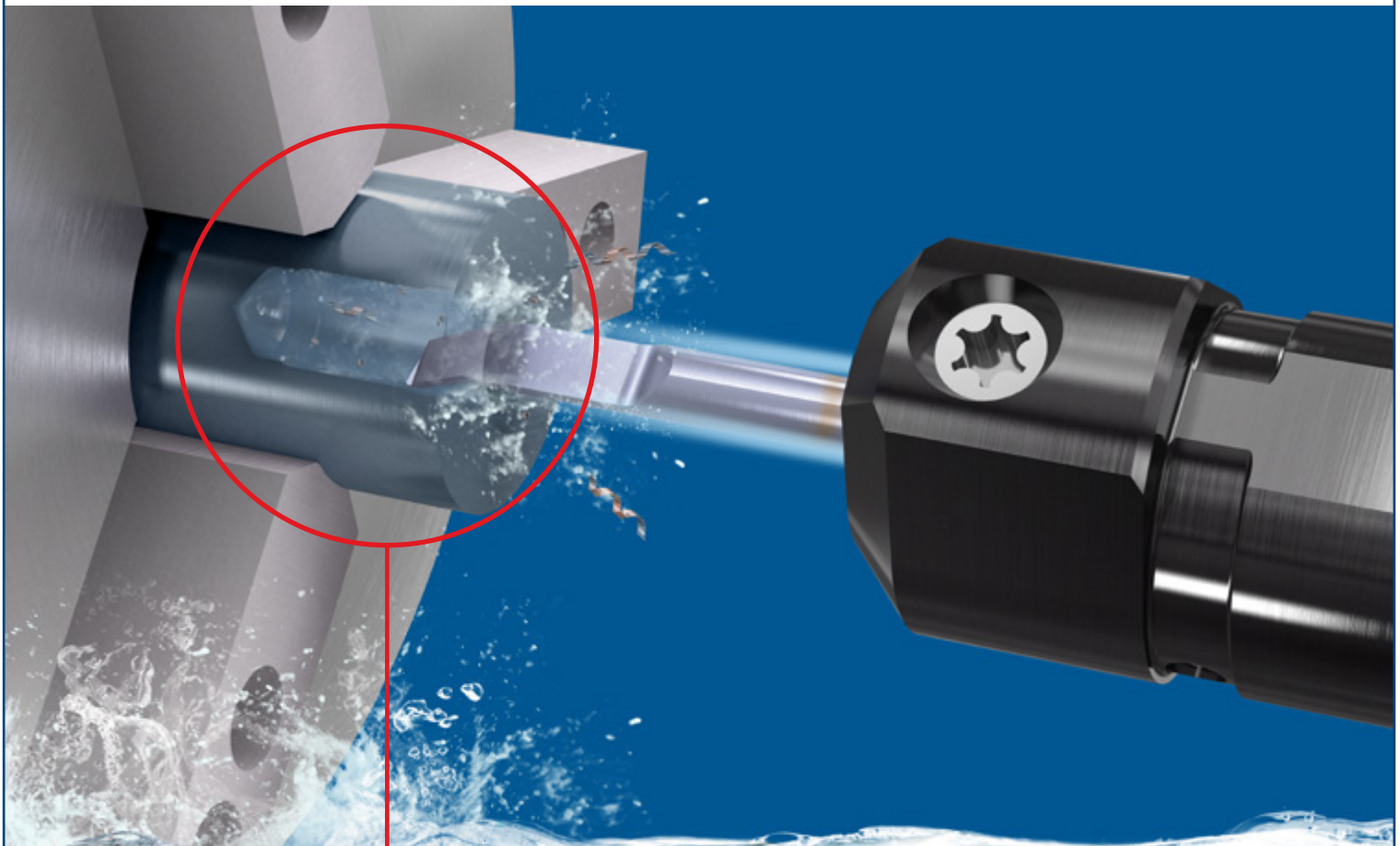
**GROOVEX**  
Innovative Grooving & Turning Solutions

**NPA 14**

**vargus**  
NEUMO Ehrenberg Group

GROOVEX NPA 14 10/2016

Page 1/4



## microscope

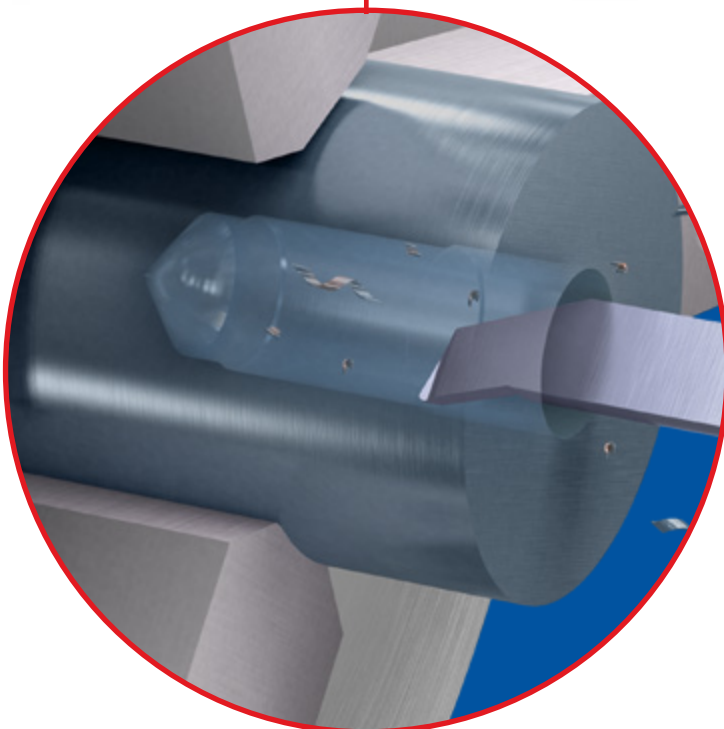
Micro Tools for Small Bores

**EXPANDED LINE**

Microscope Boring **NEW**  
Tool with Chip Breaker

### Features & Benefits:

- Helical short chips
- Prevents tangled chips around the tool and workpiece
- Excellent for blind holes



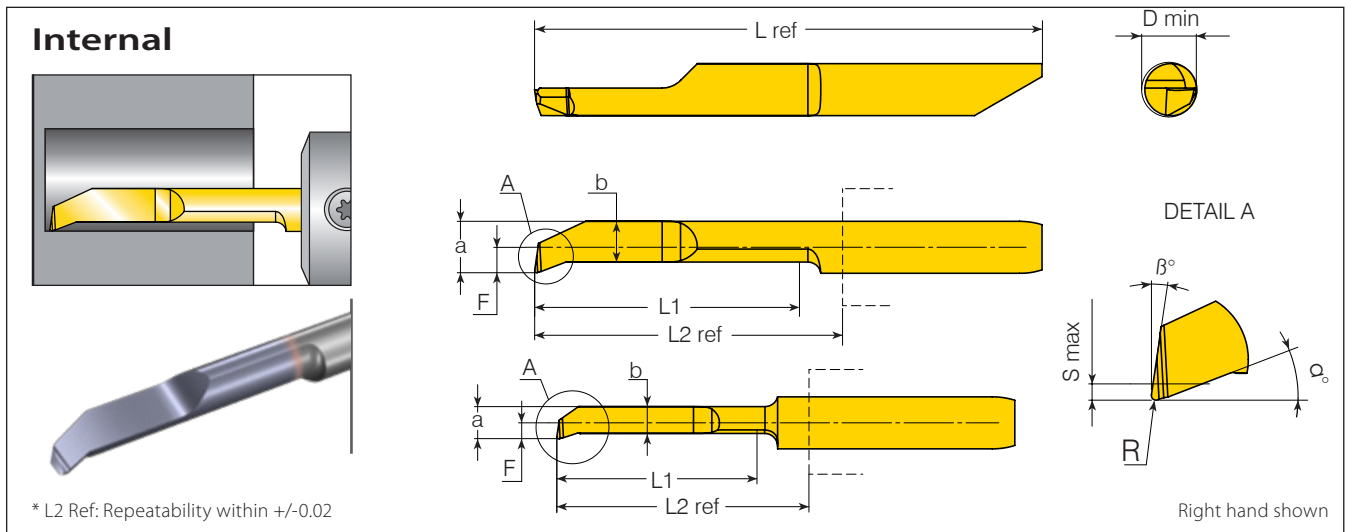
# microscope

**EXPANDED LINE**

Micro Tools for Small Bores

## Boring with Chip Breaker

**NEW**



Shank Dia.	Min. Bore Dia.	Ordering Code	Dimensions mm									
d (mm)	D min. (mm)	RH/LH	L1	R	F	S max	a	b	$\alpha^\circ$	$\beta^\circ$	L2 ref*	L ref
4.0	2.2	MC422BCBR10L14RVBX	14	0.1	1.04	0.2	2.04	1.76	18	8	18.2	35.2
		MC427BCBR15L15RVBX	15	0.15	1.22		2.47	2.06			18.2	35.2
	MC427BCBR05L15RVBX	0.05		1.22	2.47		2.06	18.2			35.2	
	MC432BCBR05L15R VBX	0.05	1.43	2.90	2.45		18.2	35.2				
	MC432BCBR15L15RVBX	0.15	1.43	2.90	2.45		18.2	35.2				
	MC432BCBR05L20R VBX	20	0.05	1.43	2.90		2.45	22.8			39.8	
	MC432BCBR15L20RVBX		0.15	1.43	2.90		2.45	22.8			39.8	
	MC437BCBR15L15RVBX	15	0.15	1.77	3.47		3.05	18.2			35.2	
	MC437BCBR15L20RVBX	20	0.15	1.77	3.47		3.05	22.8			39.8	
	M442BCBR05L15R VBX	15	0.05	1.95	3.95		3.13	18.2			35.2	
	M442BCBR15L15RVBX		0.15	1.95	3.95		3.13	18.2			35.2	
	M442BCBR05L20RVBX		0.05	1.95	3.95		3.13	22.8			39.8	
M442BCBR15L20RVBX	20	0.15	1.95	3.95	3.13	22.8	39.8					
5.0	5.2	M552BCBR20L20RVBX	25	0.2	2.44	0.5	4.94	4.04	22	8	23.15	46
		M552BCBR20L25RVBX			2.44		4.94	4.04			28.15	51
6.0	6.2	M662BCBR20L30RVBX	30	0.2	2.93	0.5	5.93	4.73	22	8	32.3	56
		M662BCBR20L35RVBX	35		2.93		5.93	4.73			37.3	61
7.0	7.2	M772BCBR20L40RVBX	40	0.2	3.44	0.5	6.94	5.74	22	8	41.4	66
		M772BCBR20L45RVBX	45		3.44		6.94	5.74			46.4	71

VTX grade tools are available upon request.  
All tools are available in LH upon request.

# microscope

**EXPANDED LINE**

Micro Tools for Small Bores

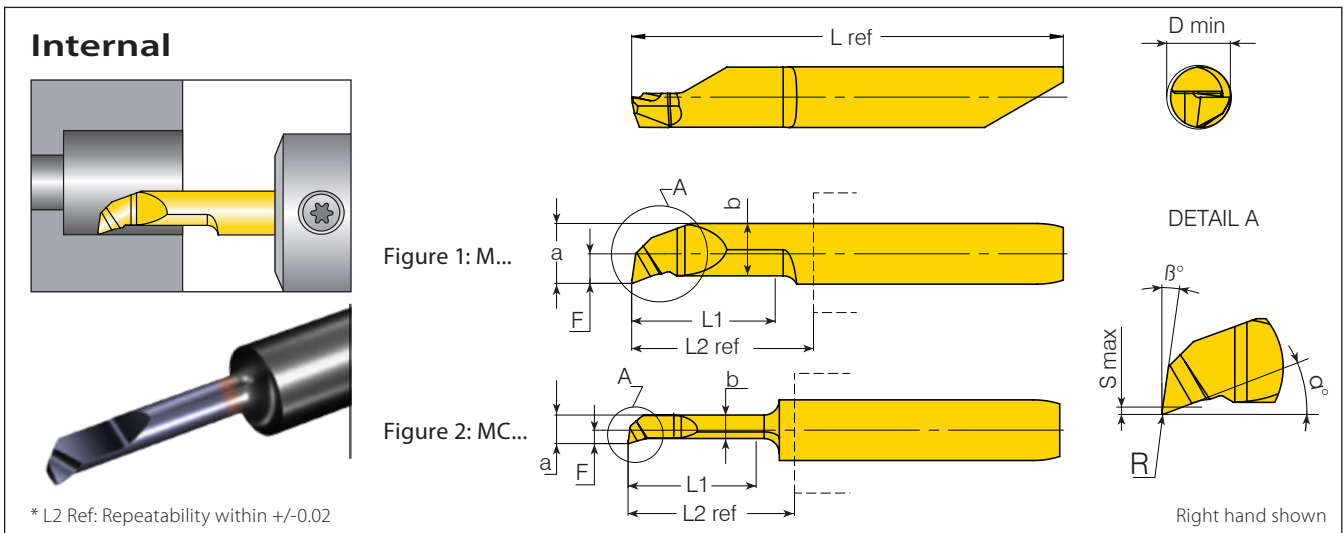
## VTX Grade for Boring Applications

**NEW**

VTX Excellent for Boring applications in medium-to-high cutting speeds and in dry conditions. Multi-layered TiAlN PVD coated, general purpose grade for prevention of peeling and chipping.

- For medium-to-high cutting speeds
- Excellent in dry conditions
- VTX grade is also available by request in other tools for Boring, Grooving, and Threading

### Boring with VTX Grade



Shank Dia.	Min. Bore Dia.	Ordering Code	Dimensions mm									
d (mm)	D min. (mm)	RH/LH	L1	R	F	S max	a	b	$\alpha^\circ$	$\beta^\circ$	L2 ref*	L ref
4.0	2.2	MC422BCR10L14RVTX	14	0.1	1.04	0.2	2.04	1.76	17.7	8	18.2	35.2
	2.7	MC427BCR15L15RVTX	15	0.15	1.23		2.48	2.06	17.5		18.2	35.2
		MC427BCR05L16RVTX	16	0.05	1.22		2.47	2.06	17.5		18.2	35.2
	3.2	MC432BCR05L16R VTX	16	0.05	1.43		2.9	2.45	17.5		18.2	35.2
		MC432BCR15L16RVTX	16	0.15	1.44		2.87	2.5	17.5		18.2	35.2
		MC432BCR05L20R VTX	16	0.05	1.43		2.9	2.45	17.5		22.8	39.8
		MC432BCR15L20RVTX	20	0.15	1.4	2.87	2.45	17.5	22.8		39.8	
	3.7	MC437BCR15L15RVTX	15	0.15	1.74	3.44	3.05	17.5	18.2		35.2	
		MC437BCR15L20RVTX	20	0.15	1.74	3.44	3.05	17.5	22.8		39.8	
		4.2	M442BCR05L16R VTX	16	0.05	1.95	3.95	3.45	21		18.2	35.2
			M442BCR15L16RVTX	16	0.15	1.93	3.93	3.13	19		18.2	35.2
	5.0	5.2	M442BCR05L21RVTX	21	0.05	1.95	3.95	3.45	21		22.8	39.8
M442BCR15L21RVTX			21	0.15	1.93	3.93	3.13	19	22.8	39.8		
M552BCR20L21RVTX			21	0.2	2.44	4.94	4.04	21	23.15	46		
M552BCR20L26RVTX	26	2.44	4.94		4.04	21	28.15	51				
6.0	6.2	M662BCR20L30RVTX	30	0.2	2.93	0.5	5.93	4.73	22	32.3	56	
		M662BCR20L35RVTX	35		2.93		5.93	4.73	22	37.3	61	
7.0	7.2	M772BCR20L40RVTX	40	0.2	3.44	0.5	6.94	5.74	22	41.4	66	
		M772BCR20L45RVTX	45		3.44		6.94	5.74	22	46.4	71	

! All tools are available in LH upon request.

# microscope

**EXPANDED LINE**

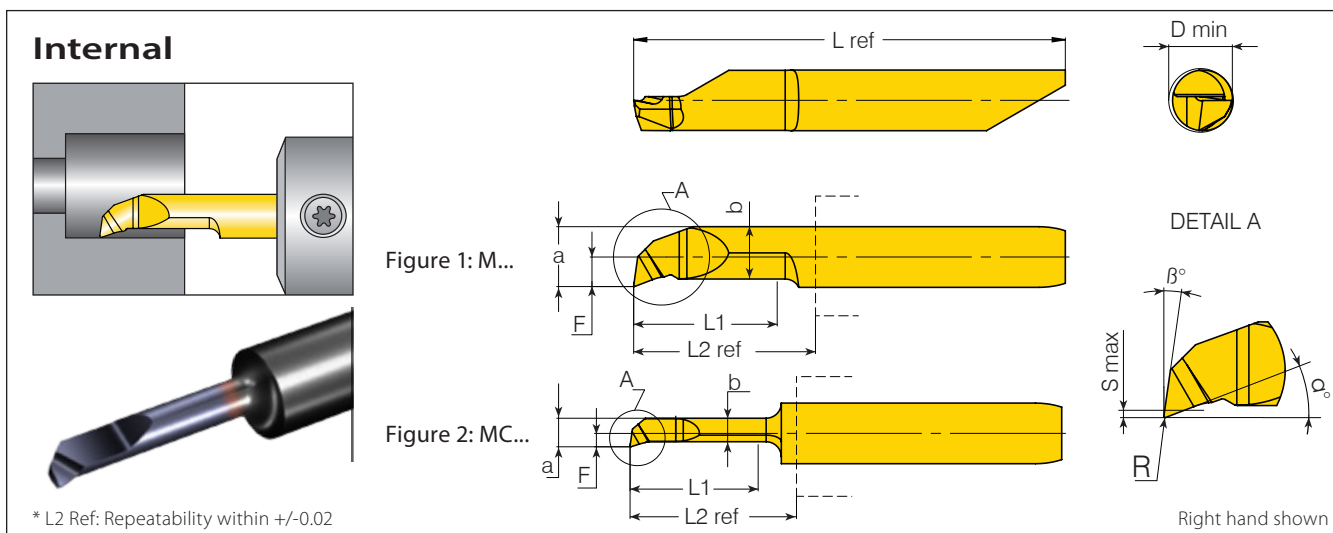
Micro Tools for Small Bores

## VTX Grade + Edge Prep

**NEW**

- Edge preparation for extended tool life, in high cutting speeds
- Edge preparation for improved surface finish

### Boring with VTX and Edge Prep



Shank Dia. d (mm)	Min. Bore Dia. D min. (mm)	Ordering Code RH/LH	Dimensions mm										
			L1	R	F	S max	a	b	$\alpha^\circ$	$\beta^\circ$	L2 ref*	L ref	
4.0	2.2	MC422BER10L14RVTX	14	0.1	1.04	0.2	2.04	1.76	17.7	8	18.2	35.2	
		MC427BER15L15RVTX	15	0.15	1.23		2.48	2.06	17.5		18.2	35.2	
	2.7	MC427BER05L16RVTX	16	0.05	1.22		2.47	2.06	17.5		18.2	35.2	
		MC432BER05L16R VTX	16	0.05	1.43		2.9	2.45	17.5		18.2	35.2	
		MC432BER15L16RVTX	16	0.15	1.44		2.87	2.5	17.5		18.2	35.2	
		MC432BER05L20R VTX	16	0.05	1.43		2.9	2.45	17.5		22.8	39.8	
		MC432BER15L20RVTX	20	0.15	1.4		2.87	2.45	17.5		22.8	39.8	
		MC437BER15L15RVTX	15	0.15	1.74		3.44	3.05	17.5		18.2	35.2	
	3.2	MC437BER15L20RVTX	20	0.15	1.74		3.44	3.05	17.5		22.8	39.8	
		4.2	M442BER05L16R VTX	16	0.05		1.95	3.95	3.45		21	18.2	35.2
			M442BER15L16RVTX	16	0.15		1.93	3.93	3.13		19	18.2	35.2
			M442BER05L21RVTX	21	0.05		1.95	3.95	3.45		21	22.8	39.8
5.0	5.2	M442BER15L21RVTX	21	0.15	1.93	3.93	3.13	19	22.8	39.8			
		M552BER20L21RVTX	21	0.2	2.44	4.94	4.04	21	23.15	46			
		M552BER20L26RVTX	26		2.44	4.94	4.04	21	28.15	51			
6.0	6.2	M662BER20L30RVTX	30		0.2	2.93	5.93	4.73	22	32.3	56		
		M662BER20L35RVTX	35	2.93		5.93	4.73	22	37.3	61			
7.0	7.2	M772BER20L40RVTX	40	0.2	3.44	6.94	5.74	22	41.4	66			
		M772BER20L45RVTX	45		3.44	6.94	5.74	22	46.4	71			

All tools are available in LH upon request.

Gideon Boianjiu  
GROOVEX Product Manager

Please contact me directly with specific questions and requests.  
For additional updates and news visit, the VARGUS website: [www.vargus.com](http://www.vargus.com)